

**Read before removing your speakers from their packaging.**

# TAD Evolution One TAD-E1 SPEAKER SYSTEM Unpacking instructions

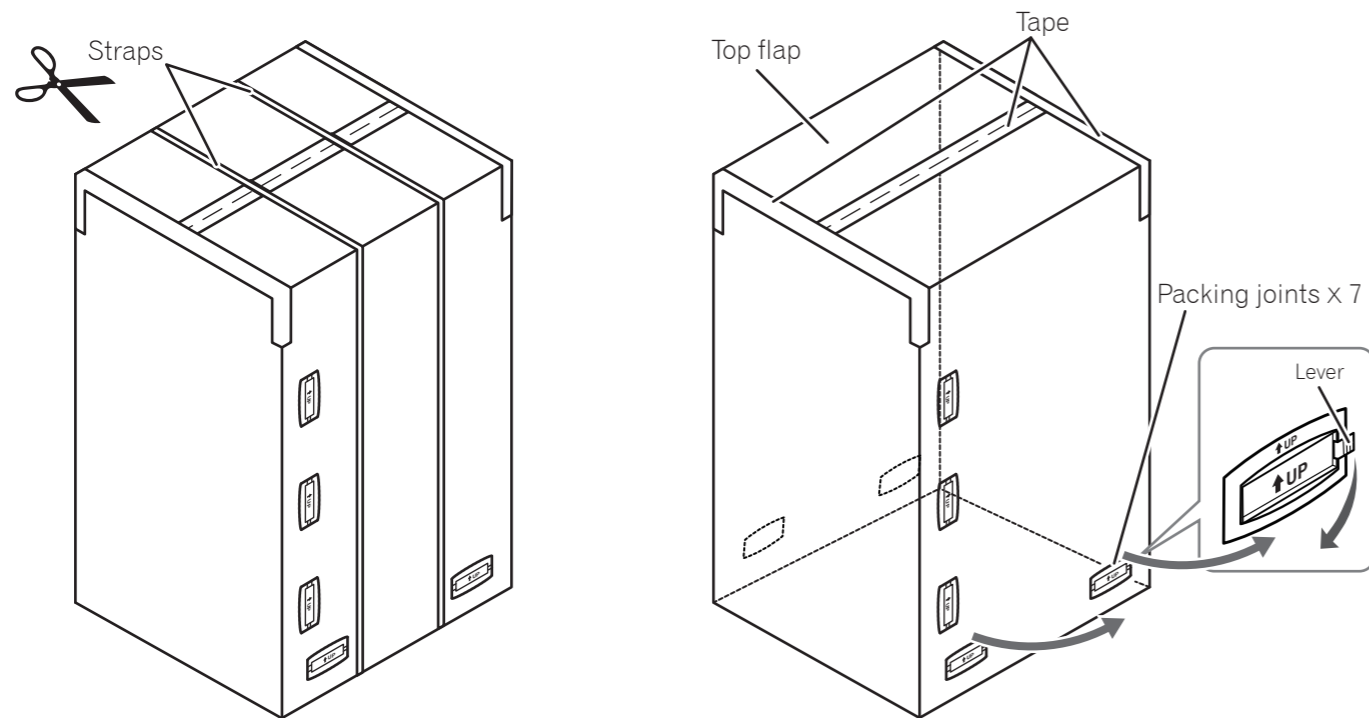


**This speaker system is extremely heavy (54 kg, or 119 lbs). Be sure to carry out unpacking and installation with at least two people.**

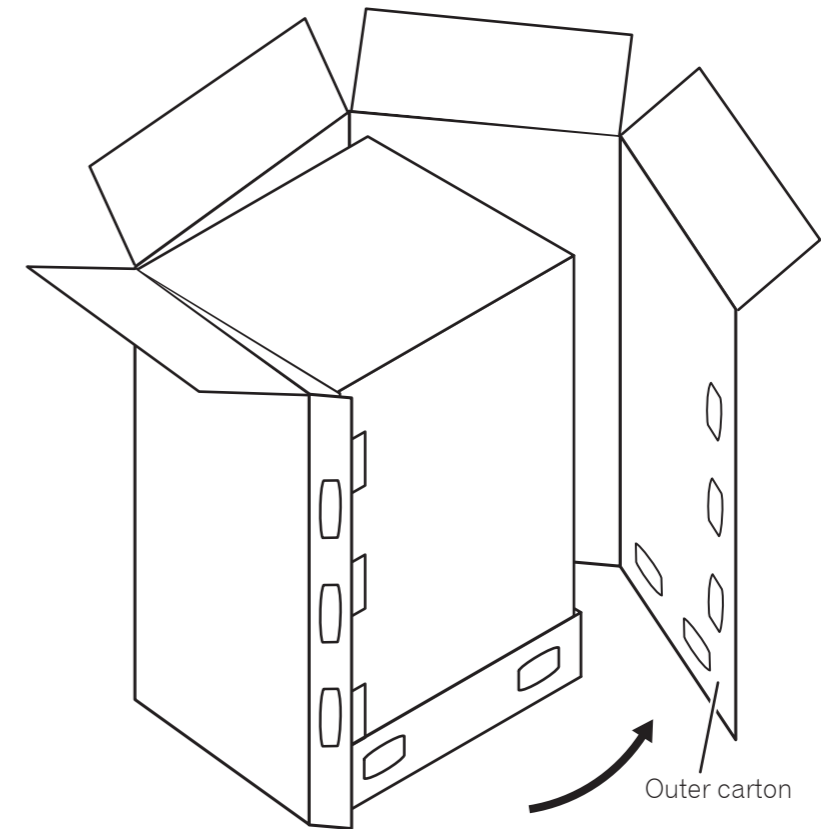
Trying to handle too much weight can throw you off balance, causing you to fall or otherwise incur bodily injury.

**1. Cut the two packing straps on the outer carton, remove the “handle”-shaped packing joints (seven places), and cut open the top flap.**

- To remove the packing joints, hold to the lever and pull outward.

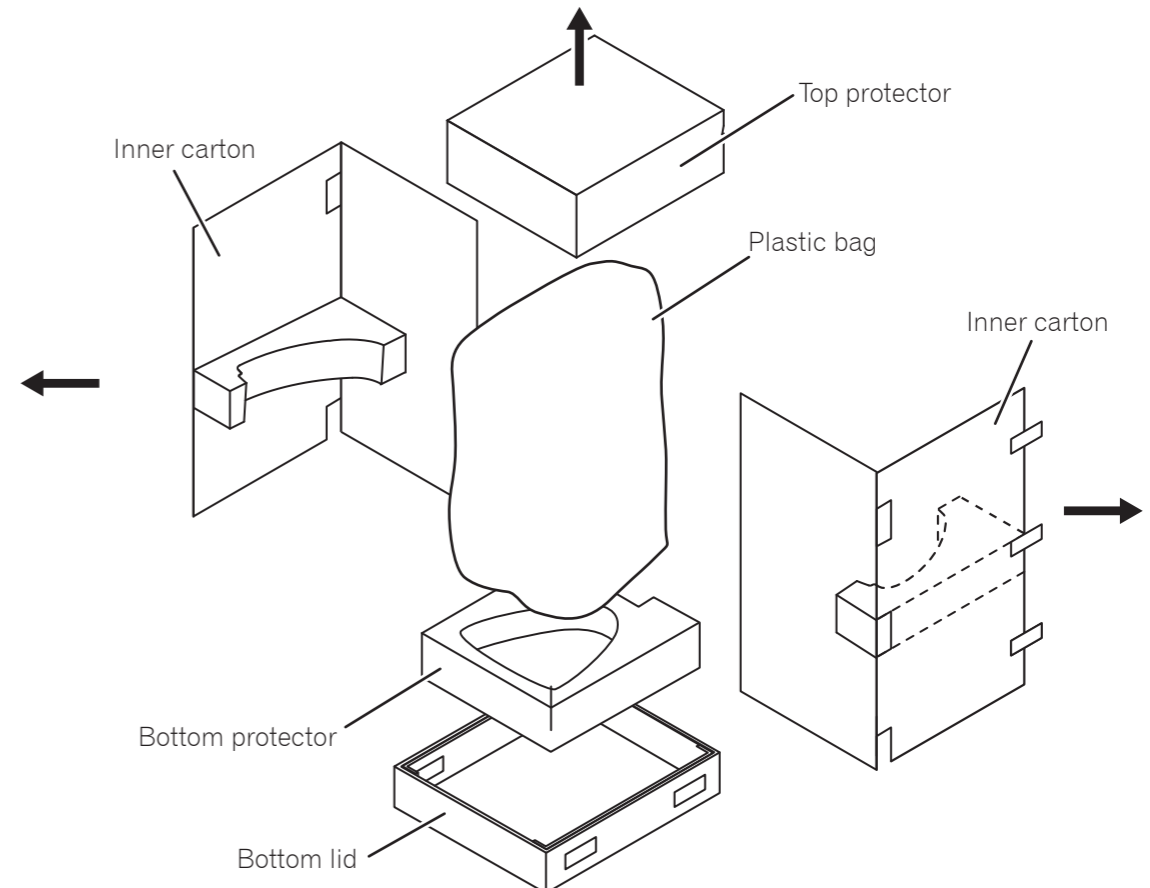


**2. Remove the sides of the packing container.**



**3. Remove the tape (six pieces in total) from the inner carton, and remove the inner carton.**

- After removing the inner box and top protection piece, remove the plastic bag and protective sheet covering the speaker.

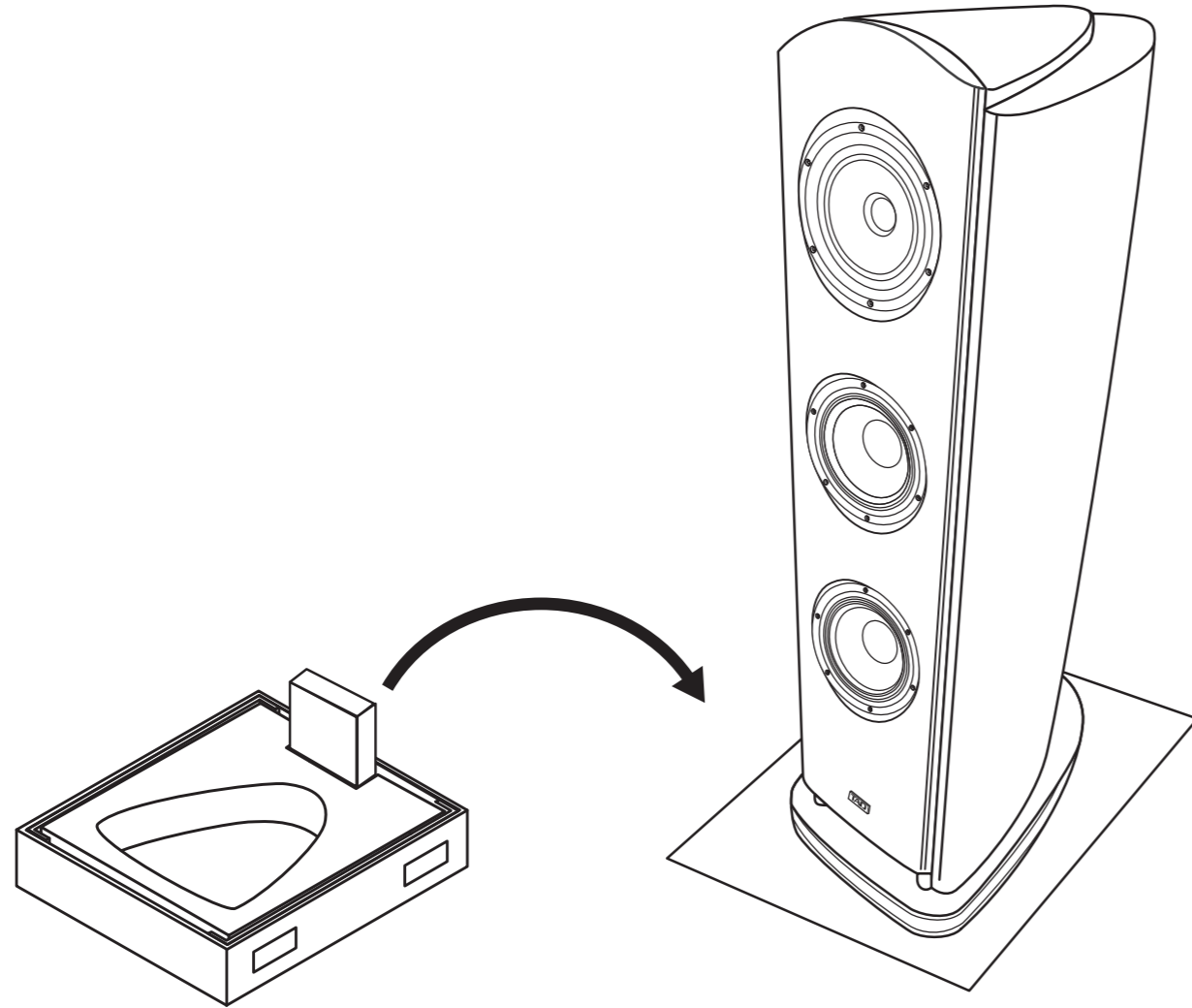


#### 4. Take the speaker off the bottom protector.

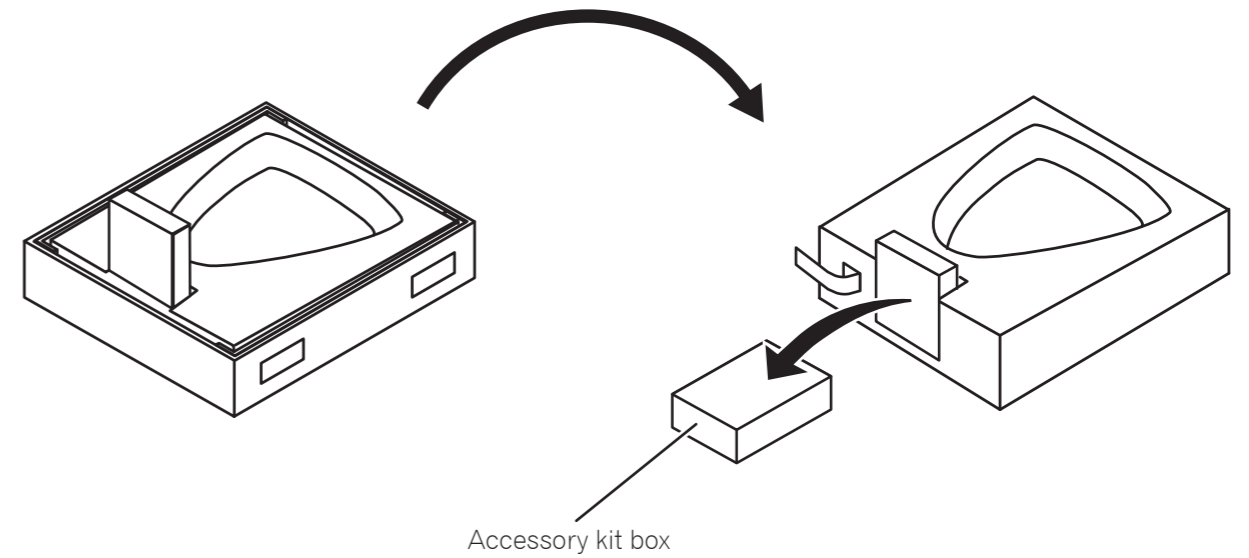


**This speaker system is extremely heavy (54 kg, or 119 lbs). Be careful when removing it from the bottom protector to prevent possible injury or damage to the speaker set.**

- In order to protect the floor upon which you are to place the speaker, cover the installation area with a thick piece of felt or carpet when setting up the speakers.
- Use at least two people to remove the speaker from its bottom protector.
- Avoid dragging the speaker along its bottom side, as doing so can cause damage to the speakers.



#### 5. Remove the bottom protector from the bottom lid, pull off the tape fixing the accessory kit box, and take out the box.



#### ■ About speaker setup

For more information about proper setup, please refer to the Owner's Manual. The Owner's Manual is located inside the Accessory Kit.

© 2011 TECHNICAL AUDIO DEVICES LABORATORIES, INC.  
All rights reserved.

**TECHNICAL AUDIO DEVICES LABORATORIES, INC.**  
<http://tad-labs.com>